

## JAL-KC4-5650\_FF

OmniVision OV5650 MIPI Interfaz Foco fijo 5MP Módulo de cámara

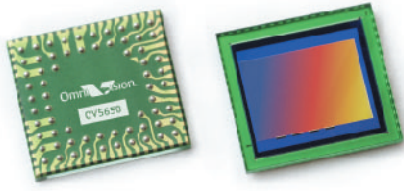


<b>Módulo de cámara No.</b>	<b>JAL-KC4-5650_FF</b>
<b>Sensor de imagen</b>	OV5650
<b>EFL</b>	3.93 mm
<b>F.NO</b>	2.8
<b>Pixel</b>	2592 x 1944 (QXGA)
<b>Ángulo de visión</b>	68.9°
<b>Tipo de lente</b>	1/3.2 pulgada
<b>Dimensiones de la lente</b>	8.5 x 8.5 x 5 mm
<b>Tamaño del módulo</b>	21 x 8.5 mm
<b>Tipo de módulo</b>	Foco fijo
<b>Interfaz</b>	MIPI

N. ° de pieza del conector de acoplamiento. **24-5804-024-000-829**



Conector de acoplamiento en la placa principal. Se vende por separado.



# OV5650 5-megapixel product brief



## DSC-Quality Imaging for High-Performance Mobile Phones

lead free

available in  
a lead-free  
package

The OV5650 is OmniVision's advanced 5-megapixel imaging solution for mobile phones featuring 1.75  $\mu\text{m}$  OmniBSI™ (backside illumination) technology. OmniBSI technology delivers a number of performance improvements over front-side illumination (FSI) technology, including increased sensitivity per unit area, improved quantum efficiency, reduced crosstalk and photo response non-uniformity, which all lead to significant improvements in image quality.

Designed specifically to address consumer demand for digital still camera (DSC) quality imaging in a mobile phone, the OV5650 combines industry leading low-light sensitivity at 1300 mV/lux-sec and a 2x improvement in (SNR10) signal-to-noise ratio (<60 lux), with the industry's lowest stack height – ideal for today's ultra-slim mobile phones.

The superior pixel performance of the 1/3.2-inch OV5650 enables high frame rate 720p HD video at 60 frames per second with complete user control over formatting and output data transfer. The OV5650 supports a digital video parallel port or two-lane MIPI, provides full-frame, windowed or binned 10-bit images in RAW RGB format, and 256 bytes of available on-chip memory.

Automatic image control features and high frame rates for video encoding deliver vivid still and video images, even in the most challenging lighting conditions.

The OV5650 – an ideal 5-megapixel solution for mobile imaging. Find out more at [www.ovt.com](http://www.ovt.com).

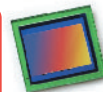
## Applications

- Mobile Phones
- Games and Toys
- PC Multimedia
- Digital Still Cameras (DSC)

## Product Features

- 1.75  $\mu\text{m}$  x 1.75  $\mu\text{m}$  pixel with OmniBSI technology for high performance (high sensitivity, low crosstalk, low noise)
- automatic image control functions:
  - automatic exposure control (AEC)
  - automatic white balance (AWB)
  - automatic band filter (ABF)
  - automatic 50/60 Hz luminance detection
  - automatic black level calibration (ABLC)
- programmable controls for frame rate, AEC/AGC 16-zone size/position/weight control, mirror and flip, cropping, windowing, and panning
- image quality controls: lens correction, 2-D defective pixel canceling
- support for output formats: 8/10-bit raw RGB data
- support for video or snapshot operations
- support for LED and flash strobe mode
- support for internal and external frame synchronization for frame exposure mode
- support for horizontal and vertical sub-sampling and 2x2 binning
- standard serial SCCB interface
- digital video port (DVP) parallel output interface
- MIPI interface (two lanes)
- 256 bytes of embedded one-time programmable (OTP) memory
- on-chip phase lock loop (PLL)
- embedded 1.5V regulator for core power
- programmable I/O drive capability, I/O tri-state configurability
- support for black sun cancellation
- suitable for module size of 8.5 x 8.5 x 6 mm

# OV5650



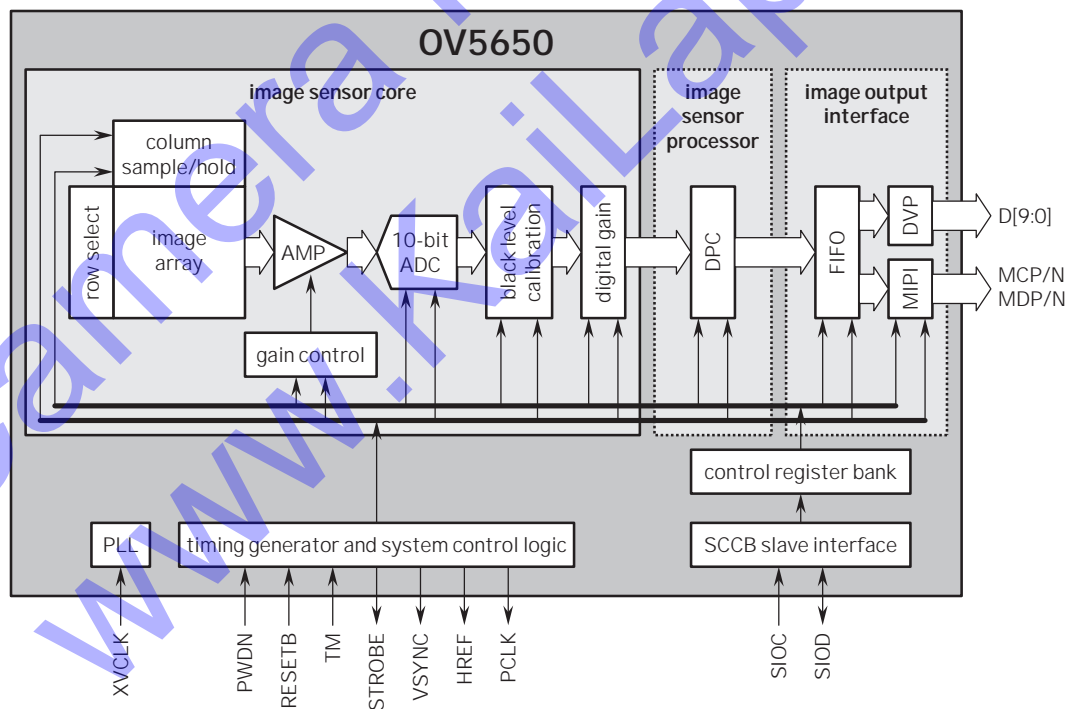
## Ordering Information

- OV05650-A66A (color, lead-free, 66-pin CSP3)
- OV05650-G04A (color, chip probing, 200  $\mu\text{m}$  backgrounding, reconstructed wafer)

## Product Specifications

- active array size: 2592 x 1944
- power supply:
  - core: 1.5V  $\pm$ 5% (with embedded 1.5V regulator)
  - analog: 2.6 - 3.0V (2.8V typical)
  - I/O: 1.8V/2.8V
- power requirements:
  - active: 150 mA
  - standby: 40  $\mu\text{A}$
- temperature range:
  - operating: -30°C to 85°C junction temperature
  - stable image: 0°C to 65°C junction temperature
- output formats: 8/10-bit raw RGB data
- lens size: 1/3.2"
- lens chief ray angle: 25.1°
- input clock frequency: 6 - 27 MHz
- max S/N ratio: 37 dB
- dynamic range: 69 dB @ 8x gain
- maximum image transfer rate:
  - QSXGA (2592 x 1944): 15 fps
  - 1080p: 30 fps
  - 720p: 60 fps
  - VGA (640 x 480): 90 fps
  - QVGA (320 x 240): 120 fps
- sensitivity: 1300 mV/lux-sec
- shutter: rolling shutter
- maximum exposure interval: 1968 x  $t_{\text{row}}$
- pixel size: 1.75  $\mu\text{m}$  x 1.75  $\mu\text{m}$
- dark current: 8 mV/s @ 50°C junction temperature
- image area: 4592  $\mu\text{m}$  x 3423  $\mu\text{m}$
- package/die dimensions:
  - CSP3: 6505  $\mu\text{m}$  x 6005  $\mu\text{m}$
  - COB: 6500  $\mu\text{m}$  x 6000  $\mu\text{m}$

## Functional Block Diagram



4275 Burton Drive  
Santa Clara, CA 95054  
USA

Tel: + 1 408 567 3000  
Fax: + 1 408 567 3001  
www.ovt.com

OmniVision reserves the right to make changes to their products or to discontinue any product or service without further notice. OmniVision, the OmniVision logo and OmniPixel are registered trademarks of OmniVision Technologies, Inc. OmniBSI is a trademark of OmniVision Technologies, Inc. All other trademarks are the property of their respective owners.

OmniVision